

Differential pressure gauge

Nominal size 63

Model A2G-mini

WIKA data sheet PM 07.43



Applications

- For monitoring the differential pressure of air and dry, clean and non-aggressive gases
- Differential pressure monitoring in filters
- Overpressure monitoring in cleanrooms
- For very low pressures

Special features

- Optimal readability with minimal space requirements
- Available as a built-in or add-on version
- All-metal design (built-in version)
- Simple and quick mounting
- Silicone-free



Differential pressure gauge with mounting bracket, model A2G-mini

Description

The model A2G-mini differential pressure gauge is used for monitoring differential pressures of the filter units in small and medium-sized central air-handling units. Further application cases are in industrial air extraction units and dust extraction plants as well as in the cleanroom industry. Its compact design and flush panel mounting enable an optimal integration in the enclosure structures of ventilation equipment.

The pure metal design of the built-in version – with the case from stainless steel and the measuring system and movement from copper alloy – ensures maximum hygiene. Due to its silicone-free materials the instrument can also be used in the painting industry and its applications.

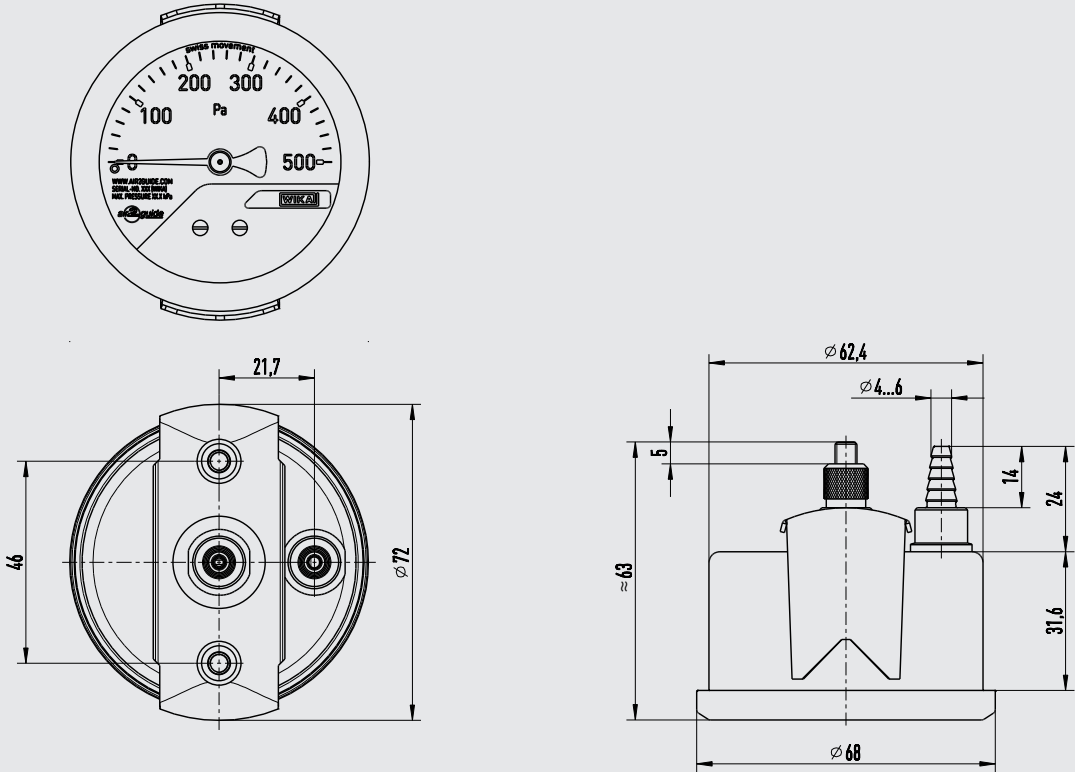
The high IP68 ingress protection and the UV-stabilised window also enable operation in outdoor areas.

Specifications

| Differential pressure gauge, model A2G-mini | Built-in version | Add-on version |
|---|---|---------------------------|
| Version | <ul style="list-style-type: none"> ■ Built-In version ■ Add-on version | |
| Nominal size in mm | 63 | |
| Measuring range | <ul style="list-style-type: none"> ■ 0 ... 250 Pa ■ 0 ... 400 Pa ■ 0 ... 500 Pa ■ 0 ... 750 Pa ■ 0 ... 1,000 Pa ■ 0 ... 1,250 Pa ■ 0 ... 1,500 Pa ■ 0 ... 2,000 Pa ■ 0 ... 2,500 Pa ■ 0 ... 3,000 Pa ■ 0 ... 4,000 Pa ■ 0 ... 5,000 Pa ■ 0 ... 6,000 Pa ■ 0 ... 7,000 Pa ■ 0 ... 8,000 Pa ■ 0 ... 9,000 Pa ■ 0 ... 10,000 Pa | |
| Accuracy | ±5 % | |
| Process connection | Back mount | Lower mount |
| | For hoses with inner diameter 4 ... 6 mm | |
| Pressure limitation | Steady: Full scale value Fluctuating: 0.9 x full scale value | |
| Temperature effect | When the temperature of the measuring system deviates from the reference temperature (+20 °C [+68 °C]): Max. ±0.5 %/10 K of full scale value | |
| Material | | |
| Case | Stainless steel | |
| Case bottom | - | Plastic |
| Front bezel | <ul style="list-style-type: none"> ■ Steel, black painted (other colours on request) ■ Stainless steel | Steel, black painted |
| Window | Plastic, transparent | |
| Process connection | Copper alloy | Plastic |
| Dial | Aluminium, scale angle 180° | |
| Pointer | Aluminium, black | |
| Movement, pressure element | Copper alloy | |
| Premissible temperatures | | |
| Medium | Max. 60 °C [140 °F] | |
| Ambient | -20 ... +60 °C [-4 ... +140 °F] | |
| Ingress protection per IEC/EN 60529 | IP68 | |
| Weight | 200 g | |
| Mounting | By means of mounting bracket | By means of mounting lugs |

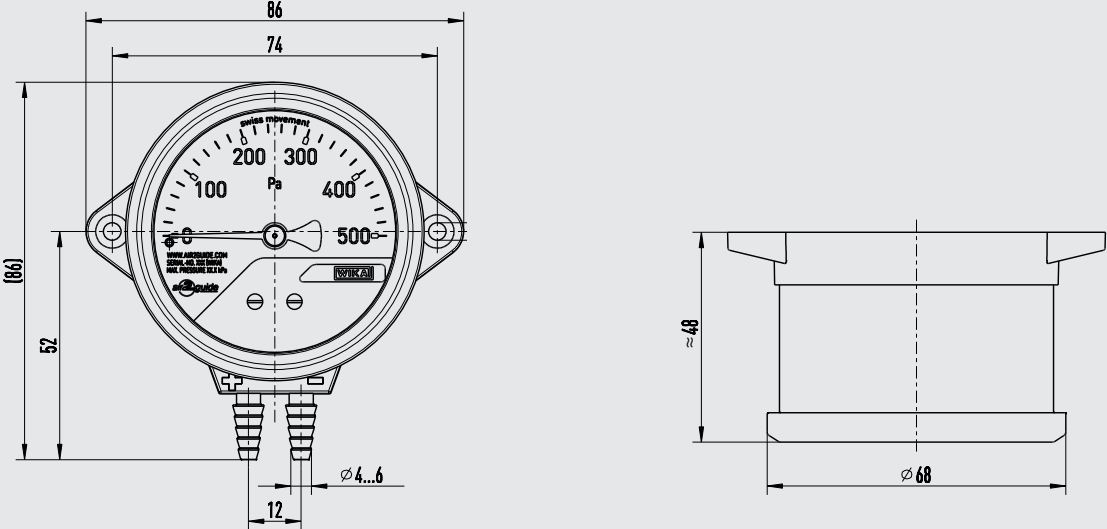
Dimensions in mm

Built-in version with mounting bracket, back mount





40409102.02

Add-on version with mounting lugs, lower mount



40424660.02

Accessories

| Description | Order number | |
|---|---|----------|
|  | Measuring hoses | |
| | PVC hose, inner diameter 4 mm, roll at 25 m | 40217841 |
| | PVC hose, inner diameter 6 mm, roll at 25 m | 40217850 |
| | Silicone hose, inner diameter 4 mm, roll at 25 m | 40208940 |
|  | Silicone hose, inner diameter 6 mm, roll at 25 m | 40208958 |
| | Duct connectors for measuring hoses Ø 4 ... 6 mm | 40217507 |

Ordering information

Model / Version / Scale range / Options

© 03/2017 WIKA Alexander Wiegand SE & Co. KG, all rights reserved.
 The specifications given in this document represent the state of engineering at the time of publishing.
 We reserve the right to make modifications to the specifications and materials.