

Differential pressure switch For ventilation and air-conditioning Model A2G-40

WIKA data sheet PV 27.41



for further approvals
see page 2



Applications

- For dry, clean, non-aggressive gases, usually air
- Monitoring of ventilators, blowers and filters in air-conditioning and clean room applications
- Overpressure monitoring in clean rooms and laboratories

Special features

- Easy to install and assemble
- Very reliable
- Robust case and practical design



Differential pressure switch, model A2G-40

Description




The model A2G-40 differential pressure switch, in the Δp function, monitors filters and ventilators in ventilation ducts and air shutters.

Five pressure range increments are available. The differential pressure switch is characterised by its simple mounting and high reliability.

Specifications

Differential pressure switch, model A2G-40				
Accuracy of the switch point	Pressure range	Lowest limit	Highest limit	Switching differential
	20 ... 200 Pa	±5 Pa	±20 Pa	20 Pa
	30 ... 300 Pa	±5 Pa	±30 Pa	20 Pa
	30 ... 500 Pa	±5 Pa	±30 Pa	20 Pa
	40 ... 600 Pa	±5 Pa	±30 Pa	30 Pa
	100 ... 1,500 Pa	±20 Pa	±50 Pa	80 Pa
	500 ... 4,500 Pa	±100 Pa	±200 Pa	250 Pa
Process connection	Connecting nozzle, lateral connection location, for hoses with inner diameter 4 ... 6 mm [0.16 ... 0.24 in] (see "Accessories")			
Electrical connection	Cable gland M16 Screw terminals max. 1.5 mm ² [0.002 in ²]			
Switching power				
Alternating current	AC 250 V, 2 A			
Direct current	DC 30 V, 3 A			
Type of mounting	Wall mounting			
Materials				
Case	Plastic (ABS)			
Window	Polycarbonate (PC)			
Diaphragm	Silicone			
Sealings	Plastic			
Permissible temperatures				
Medium	-20 ... +60 °C [-4 ... +140 °F]			
Ambient	-20 ... +85 °C [-4 ... +185 °F]			
Ingress protection per IEC/EN 60529	IP54			
Weight	150 g [0.33 lbs]			

Approvals

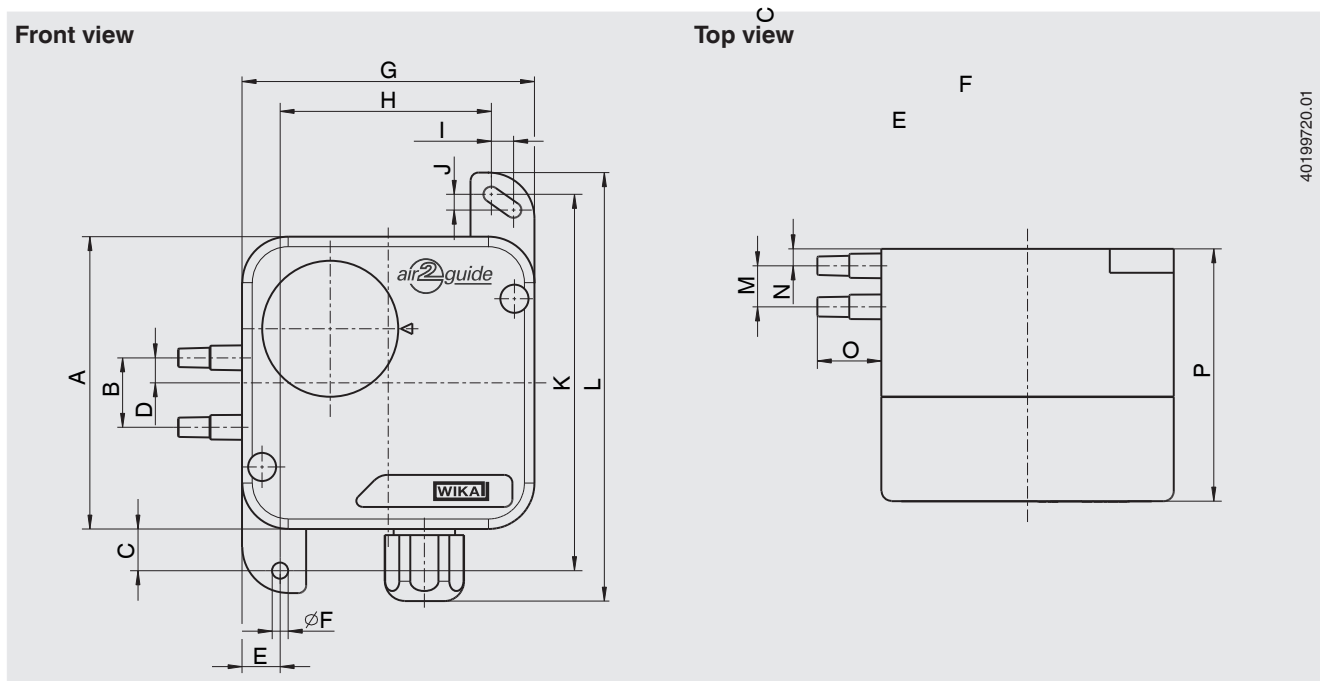
Logo	Description	Country
	EU declaration of conformity ■ Low voltage directive ■ RoHS conformity ■ WEEE directive	European Union
	EAC (option) Import certificate	Eurasian Economic Community
	KazInMetr (option) Metrology, measurement technology	Kazakhstan
-	MTSCHS (option) Permission for commissioning	Kazakhstan

Certificates (option)

- 2.2 test report

Approvals and certificates, see website

Dimensions in mm [in]



Dimensions in mm [in]

A	B	C	D	E	Ø F	G	H	I	J	K	L	M	N	O	P
73	7.5	10.4	6.25	9.5	4	73	52.72	5.57	3.9	94	107	10.25	4.25	16	63
[2.87]	[0.69]	[0.41]	[0.25]	[0.37]	[0.16]	[2.87]	[2.08]	[0.22]	[0.15]	[3.70]	[4.21]	[0.40]	[0.17]	[0.63]	[2.48]

O

ø

Accessories

Description	Order number	
	Measuring hoses	
	PVC hose, inner diameter 4 mm, roll at 25 m	40217841
	PVC hose, inner diameter 6 mm, roll at 25 m	40217850
	Silicone hose, inner diameter 4 mm, roll at 25 m	40208940
	Silicone hose, inner diameter 6 mm, roll at 25 m	40208958
	Duct connector for hoses Ø 4 ... 6 mm [0,16 ... 0,24 in]	40217507

Ordering information

Model / Pressure range / Accessories / Approvals / Certificates / Options

© 08/2008 WIKA Alexander Wiegand SE & Co. KG, all rights reserved.
The specifications given in this document represent the state of engineering at the time of publishing.
We reserve the right to make modifications to the specifications and materials.